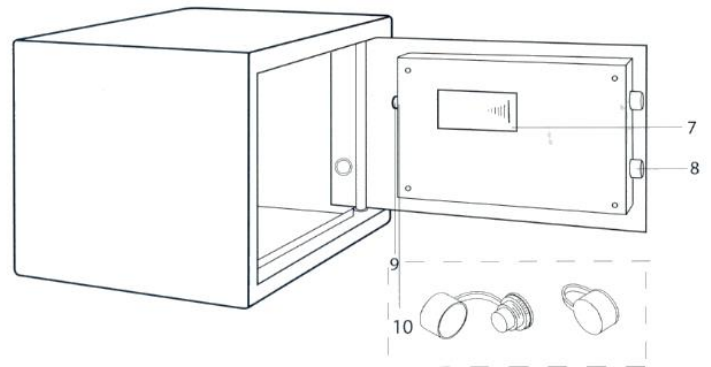


SAFE INSTRUCTIONS

When checking out please leave the safe open !

1. Low battery light
2. Warning light
3. Confirm light
4. Confirming button
5. Emergency lock cover
6. Door handle
7. Battery compartment
8. Locking bolts
9. Reset button
10. Security cap



HOW TO PROGRAM USER CODE

- Open the safe door.
- Remove the black security cap to access the reset button.
- Press the reset button. The “beep” will sound.
- Input your new user code (3-8 digits) followed by the “#” key.
- The confirm light will turn on, confirming that the user code has been changed.
- Be sure to cover the reset button with the security cap.

HOW TO OPEN SAFE

- Enter your 3-8 digits user code.
- Confirm the code by pressing the “#”key. If the code is correct the Confirm Light will turn on.
- Turn the door handle and open the safe.

HOW TO CLOSE SAFE

- Close the door and turn the door handle to “Lock” position.